



LED Linear Track CX15 Ultra



APP Control



HCL Light



Multi-Options



Super Slim Track



Easy Installation



High Quality Light



Attractive Appearance



Easy Move



24/36V

Application



Home



Office



Hotel



Conference Room

Specification

Item Code	Item Description	Power (W)	CCT (K)	Voltage(V)	Lumen (lm)	Life Time (L70B50)	MOQ (pcs)
569001001100	LSL01201-LV-Spotlight-CX15 Ultra-12W-24°-9530-BK	12	3000	24/36	1080	30000	500
569001001200	LSL01201-LV-Spotlight-CX15 Ultra-12W-24°-9540-BK	12	4000	24/36	1080	30000	500
569001001500	LSL012T01-LV-Spotlight-CX15 Ultra-12W-24°-952757-BK	12	2700-5700	24/36	1080	30000	500
569001001300	LSL01202-LV-Zoom Spotlight-CX15 Ultra-12W-9530-BK	12	3000	24/36	1080	30000	500
569001001400	LSL01202-LV-Zoom Spotlight-CX15 Ultra-12W-9540-BK	12	4000	24/36	1080	30000	500
569001001600	LSL012T02-LV-Zoom Spotlight-CX15 Ultra-12W-952757-BK	12	2700-5700	24/36	1080	30000	500
569002001000	LSL00901-LV-Grid-CX15 Ultra-9W-9530-BK	9	3000	24/36	495	30000	500
569002001100	LSL00901-LV-Grid-CX15 Ultra-9W-9540-BK	9	4000	24/36	495	30000	500
569002001200	LSL01801-LV-Grid-CX15 Ultra-18W-9530-BK	18	3000	24/36	1080	30000	500
569002001300	LSL01801-LV-Grid-CX15 Ultra-18W-9540-BK	18	4000	24/36	1080	30000	500
569002001800	LSL018LTT01-LV-Grid-CX15 Ultra-18W-952757-BK	18	2700-5700	24/36	720	30000	500
569002001400	LGS209110-LV-U-turn Grid-CX15 Ultra-9W-9530-BK	9	3000	24/36	495	30000	500
569002001500	LGS209110-LV-U-turn Grid-CX15 Ultra-9W-9540-BK	9	4000	24/36	495	30000	500
569002001600	LGS215101-LV-U-turn Grid-CX15 Ultra-15W-9530-BK	15	3000	24/36	825	30000	500
569002001700	LGS215101-LV-U-turn Grid-CX15 Ultra-15W-9540-BK	15	4000	24/36	825	30000	500
569002001900	LGS2151T01-LV-U-turn Grid-CX15 Ultra-15W-952757-BK	15	2700-5700	24/36	600	30000	500
569003000400	LSL01501-LV-Floodlight-CX15 Ultra-15W-9530-BK	15	3000	24/36	375	30000	500

Specification

Item Code	Item Description	Power (W)	CCT (K)	Voltage(V)	Lumen (lm)	Life Time (L70B50)	MOQ (pcs)
569003000500	LSL01501-LV-Floodlight-CX15 Ultra-15W-9540-BK	15	4000	24/36	375	30000	500
569003000600	LSL02701-LV-Floodlight-CX15 Ultra-27W-9530-BK	27	3000	24/36	810	30000	500
569003000700	LSL02701-LV-Floodlight-CX15 Ultra-27W-9540-BK	27	4000	24/36	810	30000	500
569003000800	LSL020LTT01-LV-Floodlight-CX15 Ultra-20W-952757-BK	20	2700-5700	24/36	500	30000	500
569004000600	LXQ12180901-LV-Wall Washer-CX15 Ultra-9W-9530-BK	9	3000	24/36	540	30000	500
569004000700	LXQ12180901-LV-Wall Washer-CX15 Ultra-9W-9540-BK	9	4000	24/36	540	30000	500
569004000800	LXQ121809T01-LV-Wall Washer-CX15 Ultra-9W-952757-BK	9	2700-5700	24/36	495	30000	500
569005000300	LSL00902-LV-Pendant light-CX15 Ultra-9W-9530-BK	9	3000	24/36	270	30000	500
569005000400	LSL00902-LV-Pendant light-CX15 Ultra-9W-9540-BK	9	4000	24/36	270	30000	500
569005000900	LSL00903-LV-Pendant light-CX15 Ultra-9W-952757-BK	9	2700-5700	24/36	270	30000	500
569005000500	LSL00904-LV-Pendant light (Cone)-CX15 Ultra-9W-9530-BK	9	3000	24/36	270	30000	500
569005000600	LSL00904-LV-Pendant light (Cone)-CX15 Ultra-9W-9540-BK	9	4000	24/36	270	30000	500
569005001000	LSL00905-LV-Pendant light (Cone)-CX15 Ultra-9W-952757-BK	9	2700-5700	24/36	270	30000	500
569005000700	LSL00906-Pendant light (Globe)-CX15 Ultra-12W-9530-BK	12	3000	24/36	360	30000	500
569005000800	LSL00906-Pendant light (Globe)-CX15 Ultra-12W-9540-BK	12	4000	24/36	360	30000	500
569005001100	LSL00907-Pendant light (Globe)-CX15 Ultra-12W-952757-BK	12	2700-5700	24/36	360	30000	500

Technical Specification

CRI	95
Colour Consistency(SDCM)	≤5
Tunable	Yes
Dimmable	Yes
Housing Colour	Black
IP	IP20
Driver integrated(Yes/No)	No
Glow wire test	650°C

Electrical Supply

Frequency (Hz)	50/60
Voltage (V)	24/36V 220-240V (Driver)
AC / DC	AC

Mechanical and Finishing Properties

Housing Material	Aluminum+PC
Optical Material	PMMA

Application Conditions

Operating Temperature	-20-40°C
Storage Environment	-25-50°C

CB

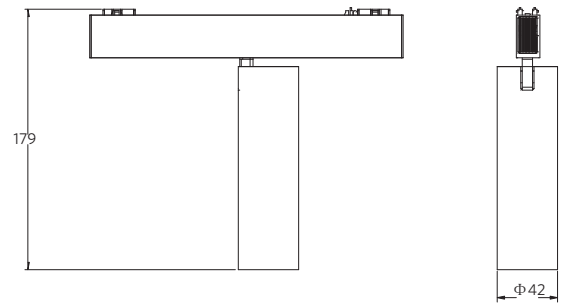
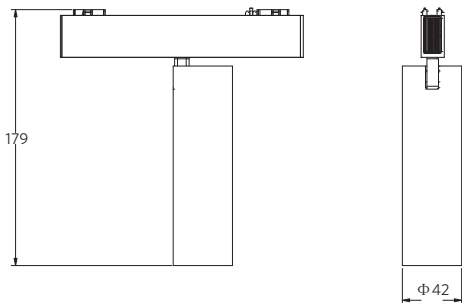
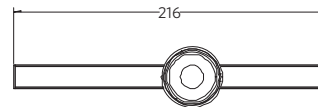
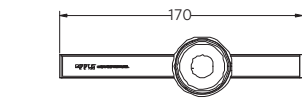
Packaging Information

Item		Outer Box		
Item Code	Item Description	Dimensions(mm) (LxWxH)	Gross Weight (kg)	Packing Qty (pcs/CTN)
569001001100	LSL01201-LV-Spotlight-CX15 Ultra-12W-24°-9530-BK	550*278*236	6.62	20
569001001200	LSL01201-LV-Spotlight-CX15 Ultra-12W-24°-9540-BK	550*278*236	6.62	20
569001001500	LSL012T01-LV-Spotlight-CX15 Ultra-12W-24°-952757-BK	550*278*236	6.18	20
569001001300	LSL01202-LV-Zoom Spotlight-CX15 Ultra-12W-9530-BK	550*278*236	7.68	20
569001001400	LSL01202-LV-Zoom Spotlight-CX15 Ultra-12W-9540-BK	550*278*236	7.68	20
569001001600	LSL012T02-LV-Zoom Spotlight-CX15 Ultra-12W-952757-BK	550*278*236	8.00	20
569002001000	LSL00901-LV-Grid-CX15 Ultra-9W-9530-BK	252*120*188	1.56	20
569002001100	LSL00901-LV-Grid-CX15 Ultra-9W-9540-BK	252*120*188	1.58	20
569002001200	LSL01801-LV-Grid-CX15 Ultra-18W-9530-BK	464*120*188	2.84	20
569002001300	LSL01801-LV-Grid-CX15 Ultra-18W-9540-BK	464*120*188	2.86	20
569002001800	LSL018LTT01-LV-Grid-CX15 Ultra-18W-952757-BK	464*120*188	4.48	20
569002001400	LGS209110-LV-U-turn Grid-CX15 Ultra-9W-9530-BK	236*230*164	4.20	20
569002001500	LGS209110-LV-U-turn Grid-CX15 Ultra-9W-9540-BK	236*230*164	4.20	20
569002001600	LGS215101-LV-U-turn Grid-CX15 Ultra-15W-9530-BK	343*230*164	5.92	20
569002001700	LGS215101-LV-U-turn Grid-CX15 Ultra-15W-9540-BK	343*230*164	5.94	20
569002001900	LGS2151T01-LV-U-turn Grid-CX15 Ultra-15W-952757-BK	343*230*164	5.58	20
569003000400	LSL01501-LV-Floodlight-CX15 Ultra-15W-9530-BK	336*120*188	2.72	20
569003000500	LSL01501-LV-Floodlight-CX15 Ultra-15W-9540-BK	336*120*188	3.02	20
569003000600	LSL02701-LV-Floodlight-CX15 Ultra-27W-9530-BK	633*120*188	3.54	20
569003000700	LSL02701-LV-Floodlight-CX15 Ultra-27W-9540-BK	633*120*188	3.58	20
569003000800	LSL020LTT01-LV-Floodlight-CX15 Ultra-20W-952757-BK	440*120*188	3.96	20
569004000600	LXQ12180901-LV-Wall Washer-CX15 Ultra-9W-9530-BK	236*230*164	2.50	20
569004000700	LXQ12180901-LV-Wall Washer-CX15 Ultra-9W-9540-BK	236*230*164	2.50	20
569004000800	LXQ121809T01-LV-Wall Washer-CX15 Ultra-9W-952757-BK	236*230*164	3.58	20
569005000300	LSL00902-LV-Pendant light-CX15 Ultra-9W-9530-BK	430*310*252	9.14	20
569005000400	LSL00902-LV-Pendant light-CX15 Ultra-9W-9540-BK	430*310*252	9.12	20
569005000900	LSL00903-LV-Pendant light-CX15 Ultra-9W-952757-BK	430*310*252	8.90	20
569005000500	LSL00904-LV-Pendant light (Cone)-CX15 Ultra-9W-9530-BK	430*310*252	7.00	20
569005000600	LSL00904-LV-Pendant light (Cone)-CX15 Ultra-9W-9540-BK	430*310*252	8.00	20
569005001000	LSL00905-LV-Pendant light (Cone)-CX15 Ultra-9W-952757-BK	430*310*252	9.00	20
569005000700	LSL00906-Pendant light (Globe)-CX15 Ultra-12W-9530-BK	430*310*252	7.00	20
569005000800	LSL00906-Pendant light (Globe)-CX15 Ultra-12W-9540-BK	430*310*252	17.00	20
569005001100	LSL00907-Pendant light (Globe)-CX15 Ultra-12W-952757-BK	430*310*252	18.00	20

Accessory

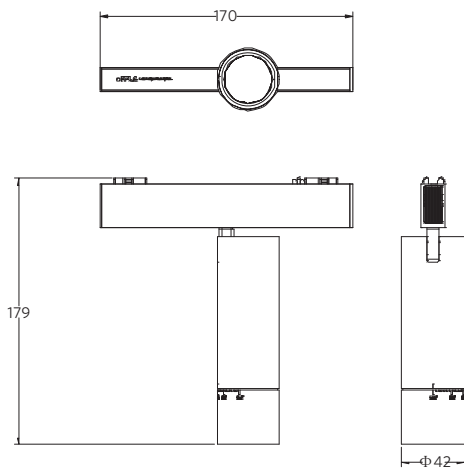
Accessories		Outer Box		
Item Code	Item Description	Dimensions(mm) (LxWxH)	Gross Weight (kg)	Packing Qty (pcs/CTN)
529098031900	LG3109--LV-Track-Recessed-CX15-1m-BK	1073*275*100	6.87	10
529098032000	LG3159--LV-Track-Recessed-CX15-1.5m-BK	1573*275*100	10.39	10
529098032100	LG3209--LV-Track-Recessed-CX15-2m-BK	2073*275*100	12.94	10
569006000900	LSLCX15BK-LV-Track-Recessed-CX15-3m-BK	3093*225*113	12.11	6
529098032200	LG3/L16--LV-Vertical L-Track-Recessed-CX15-BK	343*145*118	1.60	20
529098032300	LG3/L15--LV-Flat L-Track-Recessed-CX15-BK	343*145*125	1.48	20
529098032400	LG3/13-Type I-Electrical Connector-CX15-BK	165*145*108	0.75	30
529098032500	LG3/V3-Type L-Electrical Connector-Recessed-CX15-BK	215*215*160	1.74	30
569006001000	LSLCX15BK-LV-Track-Surface-CX15-1m-BK	1073*275*100	11.00	10
569006001100	LSLCX15BK-LV-Track-Surface-CX15-1.5m-BK	1573*275*100	17.00	10
569006001200	LSLCX15BK-LV-Track-Surface-CX15-2m-BK	2073*275*100	20.00	10
569098001100	LSLCX15BK-Type I-Electrical Connector-Surface-CX15-BK	195*120*110	4.00	40
569098001200	LSLCX15BK-Flat L-Electrical Connector-Surface-CX15-BK	195*120*110	4.00	40
569098001300	LSLCX15BK-Vertical L-Electrical Connector-Surface-CX15-BK	250*235*165	9.00	100
820004014100	Driver-OP-IESVC1000036B1-CX15-100W-DIM	494*125*244	6.26	20
820009006800	Driver-OP-IESVC1000036E1-CX15-100W-36V-BK	448*125*235	5.10	20
820006000500	RG-IOT-CBX-PLC-CX15-Track light controller	240*210*205	4.28	20
569098001600	LG4/U4-Acc-External Power Connector (Smart)-CX15-BK	165*160*120	4.50	30
820009003300	External Driver-OP-IESVH1600024E1-01-CX15-160W	300*245*285	8.44	20
820009002500	External Driver--OP-IESVC2400024E1-01-CX15-240W	355*300*255	14.34	30

Dimensional Drawing

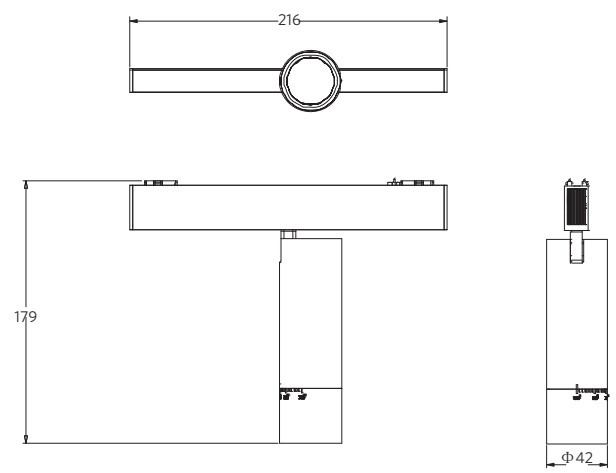


Spotlight 12W

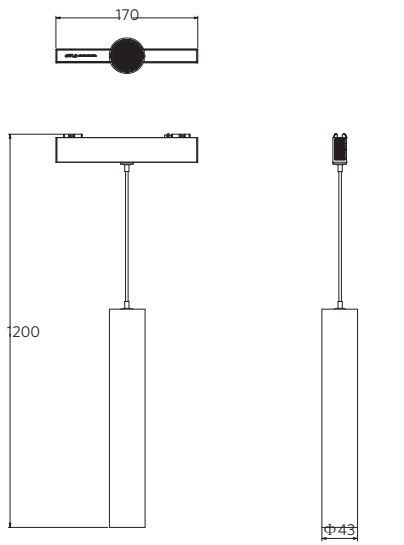
Smart Spotlight 12W



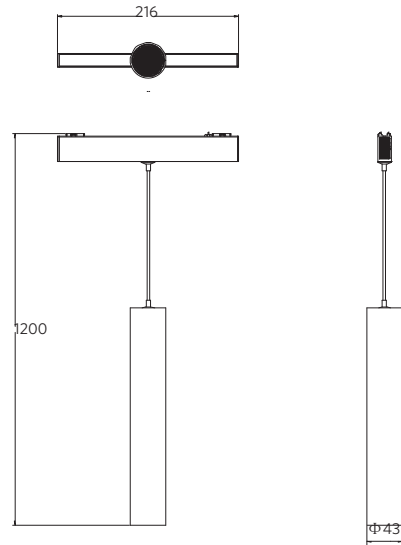
Zoom Spotlight 12W



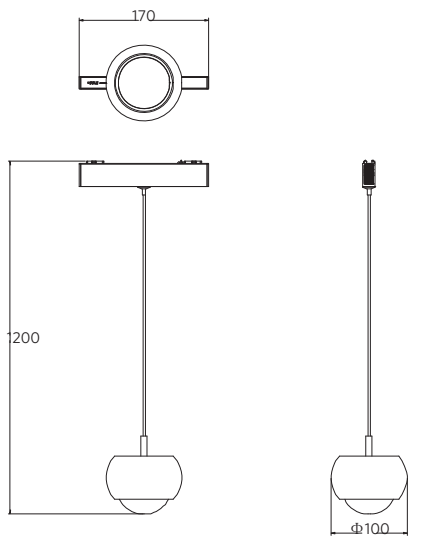
Smart Zoom Spotlight 12W



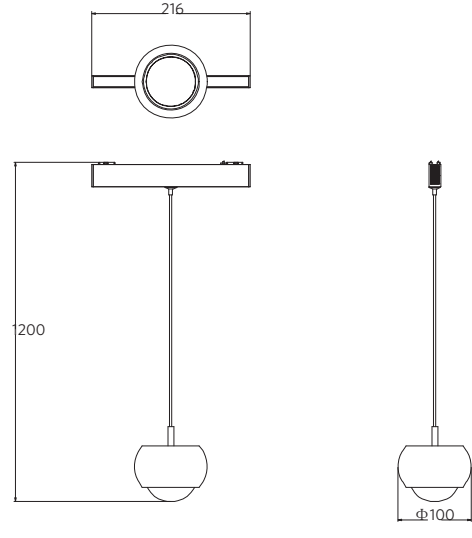
Pendant light 9W



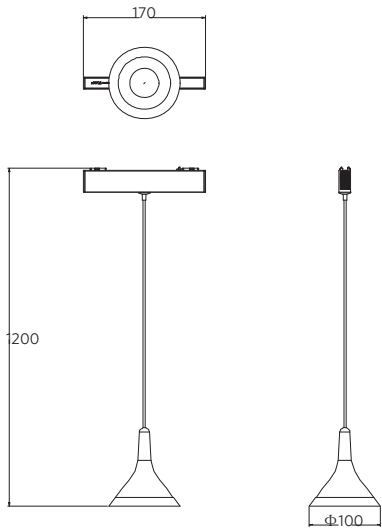
Smart Pendant light 9W



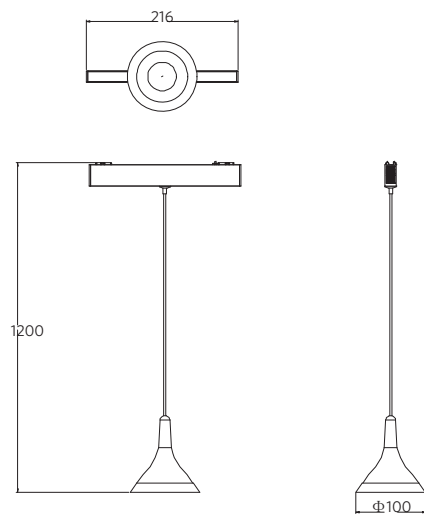
Pendant light (Globe) 12W



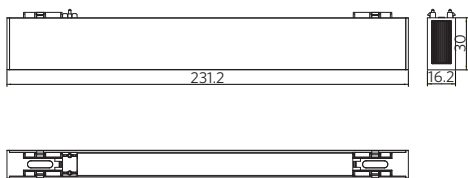
Smart Pendant light (Globe) 12W



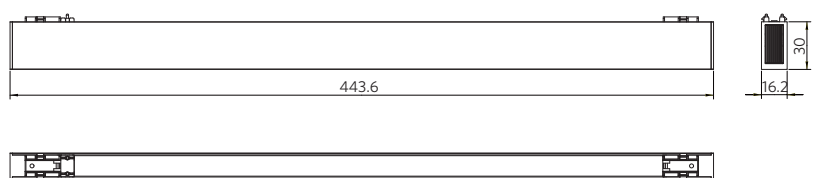
Pendant light (Cone) 9W



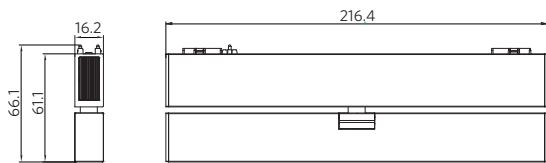
Smart Pendant light (Cone) 9W



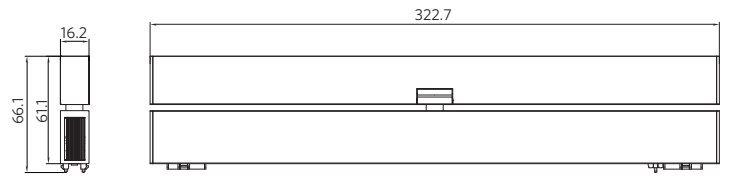
Grid 9W



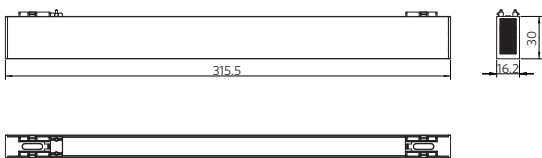
Grid 18W



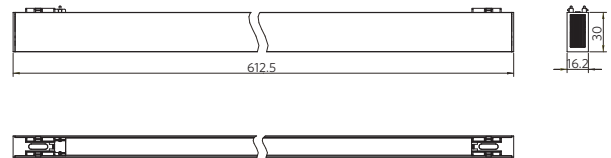
Turn Grid 9W



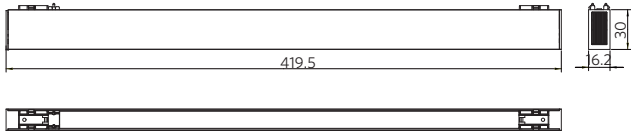
Turn Grid 18W



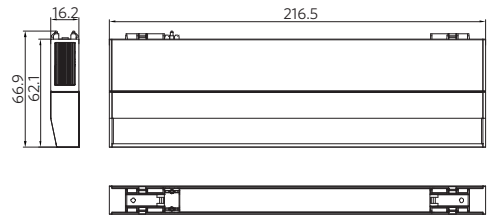
FloodLight 15W



FloodLight 27W



Smart FloodLight 20W



Wall Washer 9W

OPPLE SHANGHAI OFFICE
Building V3, The Mixc, 1799 Wuzhong Road,
Minhang District, Shanghai, China
ZIP: 201103
T + 86 21 3855 0000
E intersales@opple.com

WWW.OPPLE.COM/EN